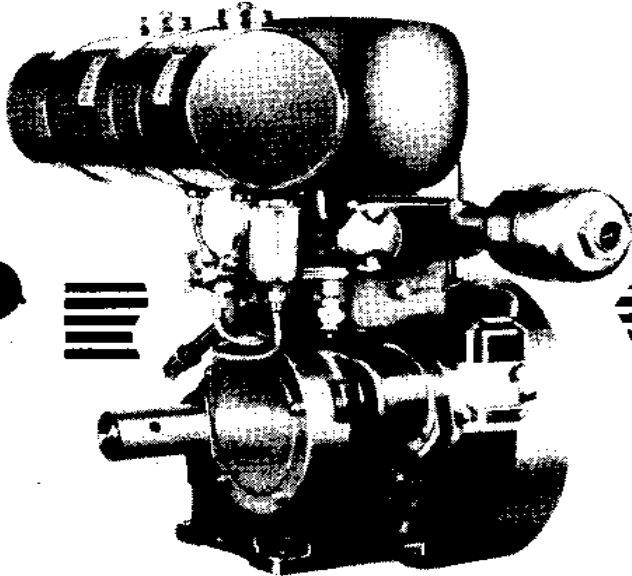


LIST OF PARTS.

*W. B. Hancock*

**PETROL AND PETROL/PARAFFIN ENGINES**

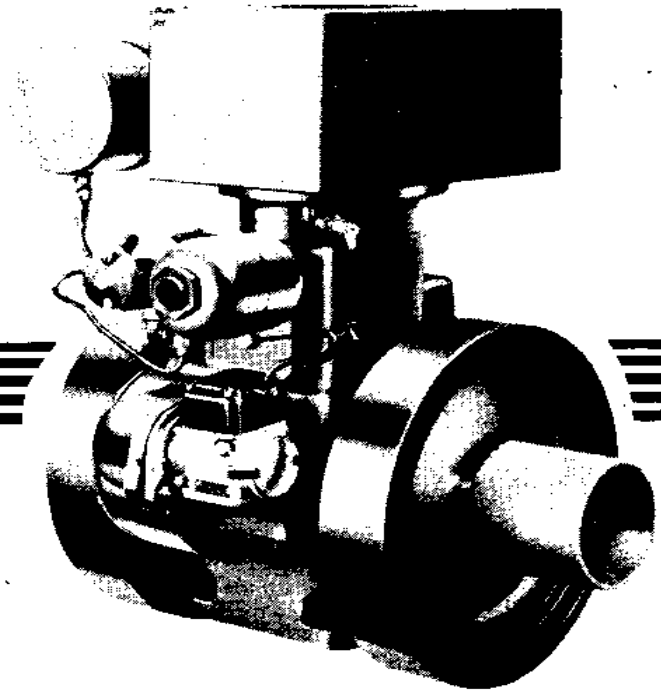


**TYPE W.D.(8)**

W.D.L.  $1\frac{1}{2}$  h.p. @ 580/800 r.p.m.  
W.D.M.  $2\frac{2}{3}$  h.p. @ 800/1100 r.p.m.  
W.D.H.  $2\frac{1}{3}$  h.p. @ 1000/1250 r.p.m.

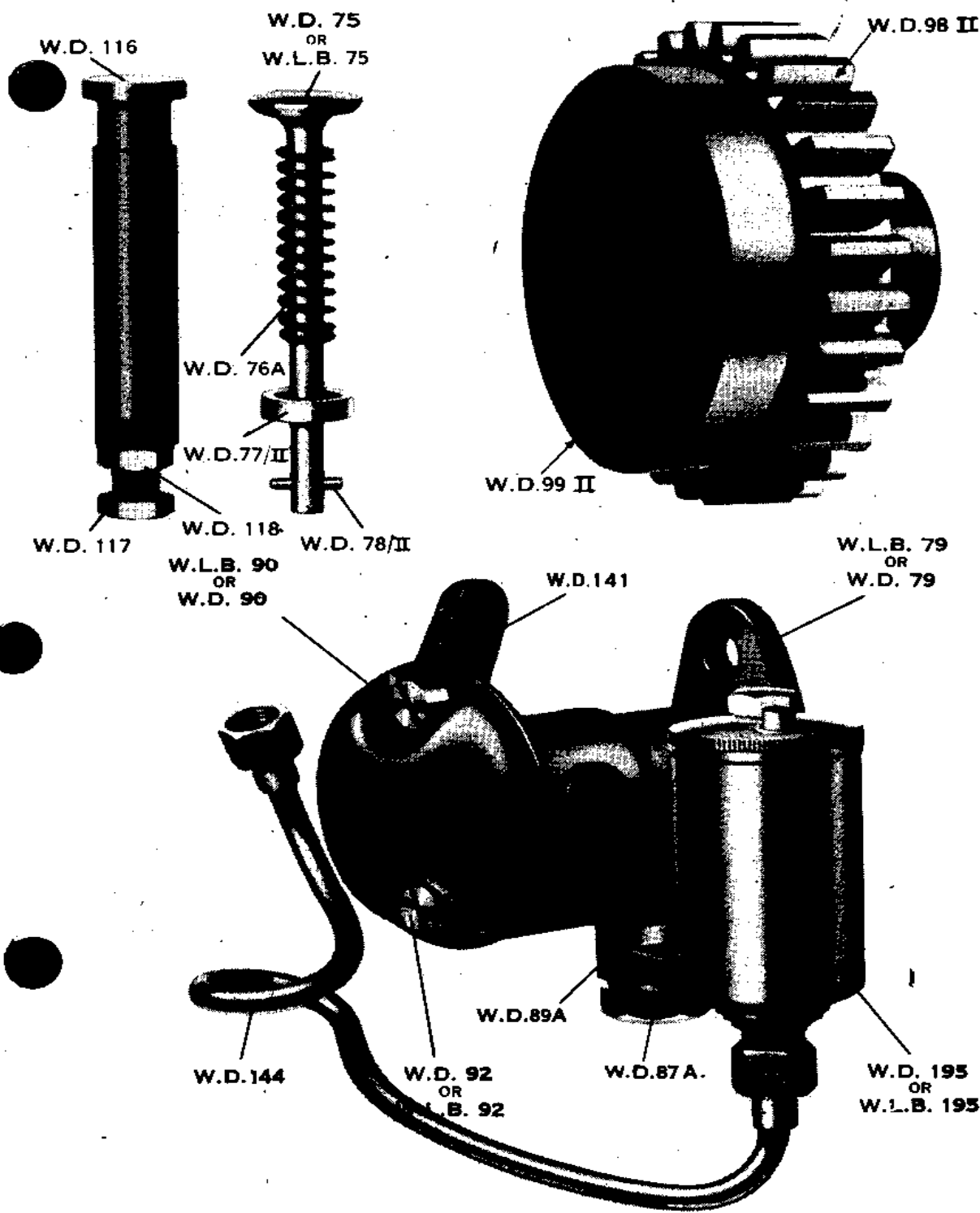
**TYPE W.L.B.(8)**

WLB/L.  $2\frac{1}{3}\frac{1}{2}$  h.p. @ 580/875 r.p.m.  
WLB/M.  $3\frac{1}{4}\frac{1}{4}$  h.p. @ 800/1100 r.p.m.  
WLB/H.  $4\frac{5}{5}$  h.p. @ 1000/1400 r.p.m.



MODEL WD(8) Part Nos.	MODEL WLB(8) Part Nos.	DESCRIPTION
WD.1/8	WLB.1/8	Cylinder Crankcase.
WD.2/II	—	Hopper Head.
—	WLB.340A	Combustion Head.
WD.3	WLB.3	Cylinder Head Gasket.
WD.5	—	Crankcase to Hopper Head Stud.
—	WLB.5A	Crankcase to Combustion Head Stud.
WD.6	—	Crankcase to Hopper Head Nut (5).
—	WLB.6	Crankcase to Hopper Head Nut (6).
—	WLB.2/8	Hopper.
—	WLB.342A	Comb. Head to Hopper Gasket.
—	WLB.207	Hopper Washer.
WD.7A	WD.7A	Tappet Cover.
WD.9	WD.9	Tappet Cover Jointing.
WD.13A/II	WD.13A/II	Crankcase Inspection Cover.
WD.15	WD.15	Crankcase Inspection Cover Jointing.
WD.16	WD.16	Crankcase Oil Drain Plug.
WD.17A/II	WD.17A/II	Water Jacket Cover.
WD.18	WD.18	Water Jacket Cover Jointing.
WD.19A/II	WD.19A/II	Timing Gear Cover.
WD.20/II	WD.20/II	Timing Gear Cover Jointing.
WD.21/II	WD.21/II	Water Jacket Sealing Plug.
WD.23/II	WD.23/II	Oil Filler Body Cap.
WD.24/II	WD.24/II	Oil Filler Cap Jointing.
WD.25/II	WD.25/II	Oil Filler Body Cap Stud.
WD.26	WD.26	Oil Filler Cap Stud Wing Nut.
WD.28	WD.28	Tappet Cover to Crankcase Bolt.
WD.304	WD.304	Dipstick.
WD.314	WD.314	Water Jacket Drain Tube (tube only).
WD.314A	WD.314A	Water Jacket Drain Tube ( <b>WD.314, WD.317 and WD.317A Ass</b> ).
WD.317	WD.317	Water Jacket Drain Tube Cap.
WD.317A	WD.317A	Water Jacket Drain Tube Cap Sealing Pad.
WD.318A	WD.318A	Crankcase Oil Tray.
WD.319	WD.319	Crankcase Oil Tray Screw (2).
WD.32/8	WD.32/8	Crankshaft.
WD.33/8	WD.33/8	Crankshaft Gear.
WD.35/8	WD.35/8	Crankshaft Main Bearing (Glacier Bearing).
WD.38A/II	WD.38A/II	Crankshaft Main Bearing Housing Jointing.
WD.39/8	WD.39/8	Crankshaft Main Bearing Housing (Flywheel side).
WD.300/8	WD.300/8	Crankshaft Main Bearing Oil Seal (Flywheel side and Starting Handle side).
WD.301A/8	WD.301A/8	Crankshaft Main Bearing Oil Seal Retaining Plate (Flywheel side).
WD.301B/8	WD.301B/8	Crankshaft Main Bearing Oil Seal Retaining Plate (Starting Handle side).
WD.301C/8	WD.301C/8	Crankshaft Main Bearing Oil Seal Spring Ring.
WD.302	WD.302	Crankshaft Main Bearing Oil Seal Retaining Plate Screw (6).
WD.303	WD.303	Crankshaft Gear Peg.
WD.44/8	WLB.44/8	Connecting Rod.
WD.45/8	WLB.45/8	Connecting Rod Small End Bush.

When ordering Spare Parts please quote Engine Number.

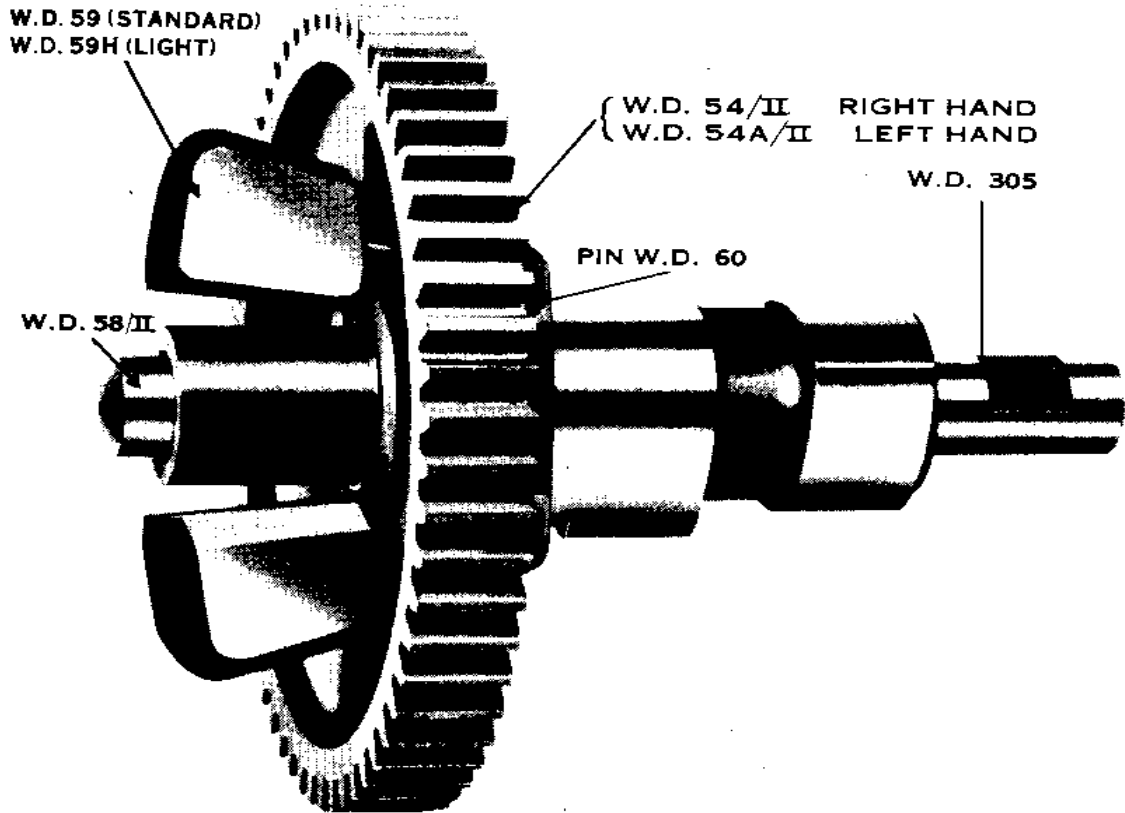
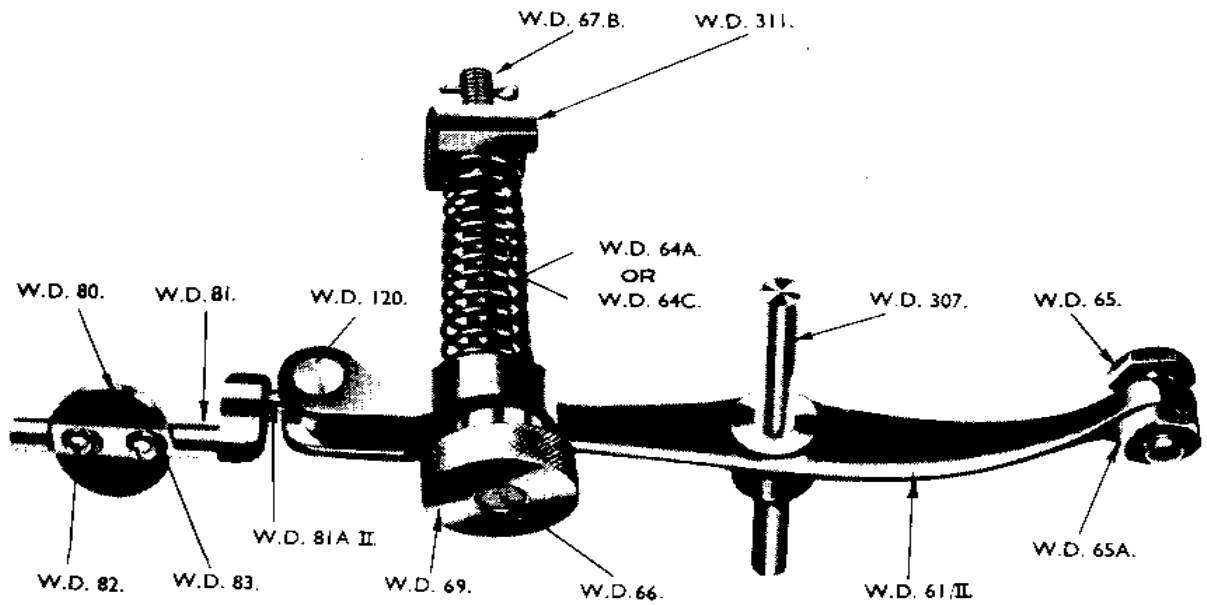


MODEL WD(8) Part Nos.	MODEL WLB(8) Part Nos.	DESCRIPTION
WD.46/8	WD.46/8	Connecting Rod Big End Bearing (Cap half).
WD.46 /8	WD.46 /8	Connecting Rod Big End Bearing (Rod half).
WD.47/II	WD.47/II	Connecting Rod Big End Bolt.
WD.48/II	WD.48/II	Connecting Rod Big End Bolt Nut.
WD.49/II	WD.49/II	Connecting Rod Oil Dipper.
WD.191/8	WLB.191/8	Connecting Rod, complete with Bearings, Bolts, Nuts and Oil Dipper.
WD.41/II	WLB.41	Piston Ring (.020" oversize) (Compression) (2).

**When ordering Spare Parts please quote Engine Number**

MODEL WD(8) Part Nos.	MODEL WLB(8) Part Nos.	DESCRIPTION
WD.42/II	WLB.42	Piston Ring (.020" oversize) (Scraper) (1).
WD.50/II	WLB.50	Piston (Bare).
WD.50A/II	WLB.50A	Piston (.020" oversize) (Bare).
WD.51/II	WLB.51	Piston Ring (Compression) (2).
WD.51A/II	WLB.51A	Piston Ring (Scraper) (1).
WD.52/II	WLB.52	Gudgeon Pin.
WD.53	WLB.53	Gudgeon Pin Retaining Spring (2).
WD.190/II	WLB.350	Piston, complete with Rings, Gudgeon Pin and Retaining Springs.
WD.190A/II	WLB.350A	Piston (.020" oversize) complete with Rings, Gudgeon Pin and Retaining Springs.
WD.54/II	WD.54/II	Camshaft and Gear (for Standard Engine).
WD.54A/II	WD.54A/II	Camshaft and Gear (for Left-hand Engine).
WD.305	WD.305	Camshaft Spindle.
WD.306	WD.306	Camshaft Spindle Set Screw.
WD.58/II	WD.58/II	Governor Operating Shaft.
WD.59	WD.59	Governor Weight (2) (standard, for low and medium speed Engines).
WD.59H	WD.59H	Governor Weight (2) (light, for high speed Engines).
WD.60	WD.60	Governor Weight Pin (2).
WD.61/II	WD.61/II	Governor Lever.
WD.64A	WD.64A	Governor Speed Adjusting Spring (for medium speed Engines, WD and WLB, and high speed WLB).
WD.64B	WD.64B	Governor Speed Adjusting Spring Washer.
WD.64C	WD.64C	Governor Speed Adjusting Spring (for low speed Engines, WD and WLB, and high speed WD).
WD.65	WD.65	Governor Adjusting Screw.
WD.65A	WD.65A	Governor Adjusting Screw Lock Nut.
WD.67B	WD.67B	Governor Speed Adjusting Spindle Cotter Pin.
WD.80	WD.80	Governor Throttle Baffle.
WD.120	WD.120	Governor Lever Swivel Pin.
WD.140A	WD.140A	Governor Speed Adjusting Spindle ( <b>WD.66, 67B and 69 assembled</b> ).
WD.155/II	WD.155/II	Governor Throttle Baffle Spindle ( <b>WD.81 and Pin WD.81A/II assembled</b> ).
WD.307	WD.307	Governor Lever Spindle.
WD.311	WD.311	Governor Lever Adjusting Screw Bracket.
WD.315	WD.315	Governor Lever Spindle Set Screw.
WD.320	WD.320	Governor Throttle Baffle Spindle Plug.
WD.75	WLB.75	Valve (2).
WD.76A	WD.76A	Valve Spring (2).
WD.77/II	WD.77/II	Valve Spring Collar (2).
WD.78/II	WD.78/II	Valve Spring Collar Peg (2).
WD.79	WLB.79	Carburettor Body.
WD.82	WD.82	Baffle Fixing Screw (Carburettor and Gov. Baffles).
WD.83	WD.83	Split Washer for <b>WD.82</b> .
WD.84	WD.84	Carburettor Gauze.
WD.85	WD.85	Carburettor Body to Crankcase Jointing.

**When ordering Spare Parts please quote Engine Number**

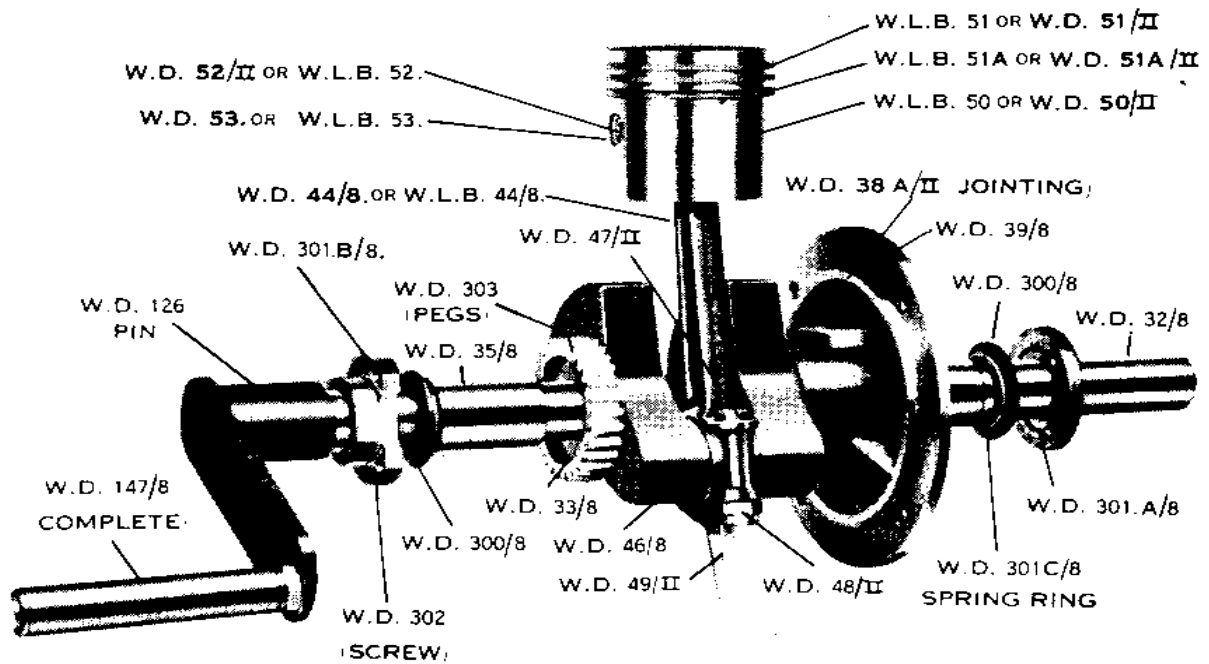


MODEL WD(8) Part Nos.	MODEL WLB(8) Part Nos.	DESCRIPTION
WD.86	WLB.86	Carburettor Jet.
WD.87/II	WD.87/II	Carburettor Jet Carrier.
WD.87A	WD.87A	Carburettor Jet Carrier Closing Plug.
WD.88	WLB.88	Carburettor Float Chamber Body.
WD.88A	WLB.88A	Carburettor Float.
WD.88B	WLB.88B	Carburettor Float Chamber Needle.
WD.88C	WLB.88C	Carburettor Float Chamber Cap.
WD.89A	WD.89A	Carburettor Jet Carrier Washer (small) (2).

**When ordering Spare Parts please quote Engine Number**

MODEL WD(8) Part Nos.	MODEL WLB(8) Part Nos.	DESCRIPTION
WD.90	WLB.90	Carburettor Air Strainer Cover.
WD.92	WLB.92	Carburettor Air Strainer Cover Screw (2).
WD.111	WD.111	Carburettor Air Baffle Lever Catch Pin.
WD.112	WD.112	Carburettor Air Baffle Lever Catch Pin Spring.
WD.114	WD.114	Carburettor Air Baffle (fixing screws and washers same as part <b>WD.82</b> and <b>WD.83</b> ).
WD.141	WD.141	Carburettor Air Baffle Lever and Spindle.
WD.153	WLB.153	Carburettor, complete with Float Chamber, Air Baffle Lever, and Air Strainer Cover.
WD.195	WLB.195	Carburettor Float Chamber complete.
WD.94/8	WD.94/8	Flywheel (14 $\frac{1}{4}$ " dia.).
—	WLB.94/8	Flywheel, Heavy, (16 $\frac{1}{4}$ " dia.).
WD.95/8	WD.95/8	Flywheel Key.
WD.97	WD.97	Magneto Flange.
WD.98/II	WD.98/II	Magneto Driving Gear.
WD.99/II	WD.99/II	Magneto Flexible Dog Coupling.
WD.100	WD.100	Magneto Flange to Crankcase Stud (2).
WD.101	WD.101	Magneto Lead Guide Bracket.
WD.101A	WD.101A	Magneto Lead.
WD.128C	WD.128C	Magneto Flange to Crankcase Stud Washer (2).
WD.192	WD.192	Magneto, complete with Flange (for Standard Engine).
WD.192LH	WD.192LH	Magneto, complete with Flange (for Left-hand Engine).
WD.312	WD.312	Magneto Driving Gear Spindle.
WD.315	WD.315	Magneto Driving Gear Spindle Set Screw.
WD.104	WD.104	Petrol Tank Tap.
WD.104A	WD.104A	Petrol Tank Tap Washer.
WD.104B	WD.104B	Petrol Tank Tap Filter Gauze.
WD.104C	WD.104C	Petrol Tank Tap Cork Washer.
WD.423	WD.423	Petrol Tank Filler Cap.
WD.422	WD.422	Petrol Tank Securing Strap (2).
WD.108	WD.108	Petrol Tank Securing Strap Bolt (2).
WD.108A	WD.108A	Petrol Tank Securing Strap to Hopper Bolt (2).
WD.109	WD.109	Petrol Tank Filler Cap Washer.
WD.143B	WLB.143B/8	Petrol Tank, complete with Filler Cap, less Tap (standard capacity 11 pints).
WD.144	WD.144	Petrol Pipe, complete with Nipples and Nuts.
WD.115	WD.115	Sparking Plug.
WD.116	WD.116	Tappet.
WD.117	WD.117	Tappet Adjusting Screw.
WD.118	WD.118	Tappet Adjusting Screw Lock Nut.
WD.119	WD.119	Tappet Plug.
WD.157	WD.157	Tappet, complete with Adjusting Screw and Lock Nut.
WD.10	WD.10	Nut ( $\frac{3}{8}$ " Whit.) used with <b>WD.13A/II</b> , <b>17A/II</b> , <b>19A/II</b> , <b>39/8</b> , <b>79</b> ( <b>WD</b> and <b>WLB</b> ), <b>97</b> , <b>422</b> and <b>351</b> ( <b>WD</b> and <b>WLB</b> ).
WD.14	WD.14	Studs ( $\frac{3}{8}$ " Whit. $\times$ 1 $\frac{3}{32}$ " long) used with <b>WD.13A/II</b> , <b>17A/II</b> , <b>19A/II</b> , <b>39/8</b> , <b>79</b> ( <b>WD</b> and <b>WLB</b> ), <b>351</b> ( <b>WD</b> and <b>WLB</b> ).
WD.121	WD.121	Pulley Bolt (3).

When ordering Spare Parts please quote Engine Number



MODEL WD(8) Part Nos.	MODEL WLB(8) Part Nos.	DESCRIPTION
WD.122	WD.122	Pulley, 5" dia. × 4½" face (standard).
WD.126	WD.126	Starting Pin in Crankshaft.
WD.135/8	WD.135/8	Starting Handle Guard.
WD.136	WD.136	Pulley, 3½" dia. × 5" face (special).
WD.137	WD.137	Pulley, 8" dia. × 5" face (special).
WD.147/8	WD.147/8	Starting Handle complete (for standard Engine)
WD.147LH/8	WD.147LH/8	Starting Handle complete (for left-hand Engine)
WD.148	WLB.148	Silencer complete.
WD.160	WD.160	Tubular Box Spanner ( $\frac{7}{16}$ " Whit. × 7").
WD.161	WD.161	Tommy Bar.
WD.162	WD.162	Double-ended Spanner ( $\frac{7}{16}$ " × $\frac{5}{16}$ " Whit.).
WD.163	WD.163	Double-ended Spanner ( $\frac{1}{4}$ " × $\frac{5}{16}$ " Whit.).
WD.164	WD.164	Double-ended Spanner ( $\frac{1}{8}$ " Whit. × $\frac{3}{16}$ " slot).
WD.171	WD.171	Air Cleaner (special).
WD.172B	WD.172B	Air Cleaner Elbow (special).
Q.3132	Q.3132	Air Cleaner Elbow Fixing Screw (special).
WD.197	WD.197	Valve Lifter.
WD.316	WD.316	Key for Set Screw WD.315.

#### PARAFFIN VAPORIZER PARTS (Petrol-Paraffin Engines)

WD.86	WLB.86	Vaporizer Body Jet.
WD.87/II	WD.87/II	Vaporizer Body Jet Carrier.
WD.89A	WD.89A	Jet Carrier Washer (2).
WD.92	WLB.92	Vaporizer Body Air Strainer Cover Screw (2).
WD.104A	WD.104A	Vaporizer Body Jet Carrier Drain Tap Washer.
WD.114	WD.114	Vaporizer Air Baffle (fixing screws and washers, same as part <b>WD.82</b> and <b>WD.83</b> ).
WD.141	WD.141	Vaporizer Air Baffle Lever and Spindle.
WD.351	WLB.351	Vaporizer Body.
WD.382	WD.382	Vaporizer Body Retaining Tube 1" Socket.

When ordering Spare Parts please quote Engine Number

MODEL WD(8) Part Nos.	MODEL WLB(8) Part Nos.	DESCRIPTION
WD.387	WD.387	Vaporizer Body Retaining Tube.
WD.352	WD.352	Air Baffle Retaining Spring.
WD.353	WD.353	Vaporizer to Crankcase Jointing.
WD.354	WD.354	Vaporizer to Crankcase Stud (long).
WD.491	WD.491	Vaporizer Body Stud Nut.
WD.355	WD.355	Vaporizer Body, 1" Gas Thread Plug.
WD.356	WD.356	Float Chamber Body.
WD.356A	WD.356A	Float Chamber Float.
WD.356B	WD.356B	Float Chamber Needle.
WD.356C	WD.356C	Float Chamber Cap.
WD.357	WD.357	Vaporizer Body Jet Carrier Closing Plug.
WD.358	WD.358	Vaporizer Body Jet Carrier Drain Tap.
WD.390	WD.390	Petrol-Paraffin Tank 3-way Tap.
WD.395	WLB.395	Air Strainer Cover and Ratchet Assembly.
WD.396	WD.396	Float Chamber (assembled).
WD.397	WLB.397	Vaporizer Body, complete with Float Chamber, Air Baffle, Air Baffle Lever and Air Strainer Cover.
WD.398	WD.398	Petrol-Paraffin Pipe, complete with Nipples and Nuts.
WD.399	WD.399	Petrol-Paraffin 3-way Tap Connecting Pipes with Nipples and Nuts.
WD.400A	WD.400A	Petrol-Paraffin Tank, complete with Filler Caps (less 3-way Tap).
WD.327	WD.327	Swivel Pin Inspection Hole Plug.
EF.7	EF.7	Oil Tray Screw Nuts.
WD.318/B	WD.318/B	Oil Tray Clamp.

**Parts for Engines, when arranged for Tank Cooling**

WD.340	WLB.340A	Combustion Head.
WD.3	WLB.3	Cylinder Crankcase to Combustion Head Gasket.
WD.341A	WLB.341A	Combustion Head Cover.
WD.342	WLB.342A	Combustion Head to Cover Gasket.
WD.345	WLB.5A	Crankcase to Combustion Head Stud.
B.252	WLB.6A	Crankcase to Combustion Head Nut.
WD.484	WD.484	Combustion Head Stud Washer (5).
WD.176/II	WD.176/II	Water Tank (without fittings).
WD.198/II	WD.198/II	Water Tank (assembled with hot and cold water connection and 3-way cock).
WD.485	WD.485	3-way Cock (assembled).
WD.486	WD.486	Water Tank Tap Nozzle.
WD.347	WD.347	Hot Water Bend.
WD.178/II	WD.178/II	Hot Water Hose.
WD.178A/II	WD.178A/II	Hot Water Hose Clip.
WD.349	WD.349	Hot Water Bend Lock Nut.
WD.178/II	WD.178/II	Cold Water Hose.
WD.178A/II	WD.178A/II	Cold Water Hose Clip.
WD.346	WD.346	Cold Water Connection.
WD.321	WLB.321	Combustion Head Cover to Petrol Tank Bracket.
WD.348	WD.348	Water Jacket Cover.

**When ordering Spare Parts please quote Engine Number**